

## 产品特性/Product Features

IP6K9K

30A 85°C

12-750VDC

1000M $\Omega$  (1000VDC) , IEC 60664-

1

性能参数 / Performance parameters

	1000MΩ(1000VDC)
	3000VAC 1min
	3000VAC 1min
( )	≤30ms
( )	≤10ms
	196m/s <sup>2</sup>
	490m/s <sup>2</sup>
	10Hz ~ 500Hz 49m/s <sup>2</sup>
	5% ~ 85%RH
	-40°C ~ 85°C
	4M
	130g
	53.7mm×36.2mm×39.5mm

线圈参数 / Coil parameters

12	9	1.2	3.6W
24	18	2.4	3.8W

-40°C ~ 85°C)

订货标记示例

HFEVC - H Y 030 / 750 - 12 - C N SM -

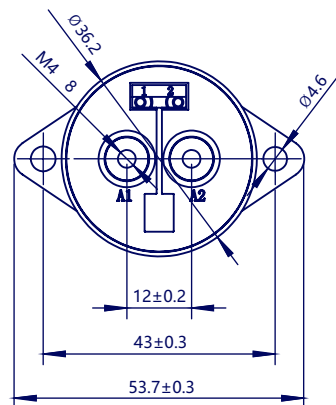
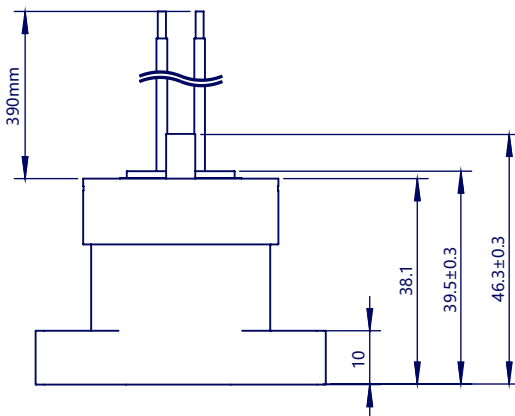
1 2 3 4 5 6 7 8 9 10

- 1 HFEVC:
- 2 T: H:
- 3 F: Y:
- 4 030: 30A
- 5 DC Blank: 450V 750: 750V
- 6 12: DC12V 24: DC24V PWM: 9V~24V
- 7 C: L:
- 8 Blank: N:
- 9 Blank: SM:
- 10

1)

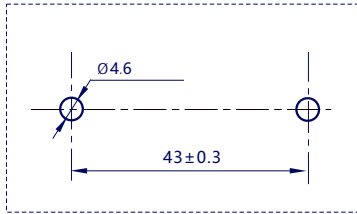
外形图、安装孔尺寸 / Outline drawing, mounting hole size

/Unit mm

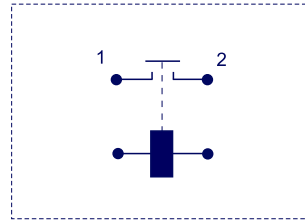


安装孔尺寸 / 接线图 Mounting hole size/Wiring diagram

Mounting hole size

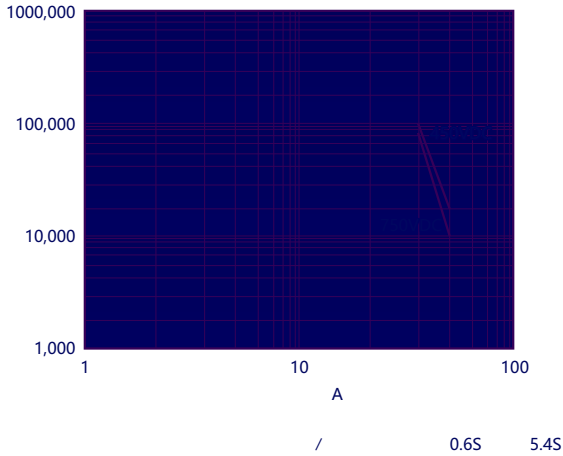


Wiring diagram

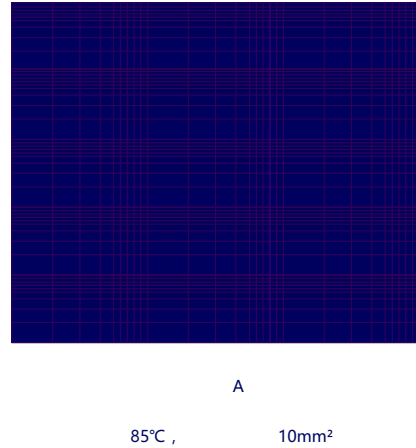


性能曲线图 Performance graph

Electrical life curve



Tolerance curve



使用注意事项 Precautions for use

1

M4	1.8N·m 2.7N·m	Ø4.0~Ø4.5mm	3mm	M4螺钉	1.8N·m~2.7N m
----	---------------	-------------	-----	------	---------------

2

10mm<sup>2</sup>

3

3mm



声明/Statement: