

IE T4 C ĀP‡ C 5 p@ f E T4 `ĒD' MōMōMōMōMōL!Æ SGd7 p 0 Đ 0 @ V

HIGH-VOLTAGE EPOXY CONTACTOR

产品特性/Product Features

IP6K9K

250A 85°C长时间载流能力

12-750VDC

1000MΩ (1000VDC) , IEC 60664-

1

PWM

		1000MΩ(1000VDC)
		3000VAC 1min
		3000VAC 1min
()		≤30ms
()		≤10ms
		196m/s ²
		490m/s ²
		10Hz~500Hz 49m/s ²
		5%~85%RH
		-40°C~85°C
		/
		400g

VDC	VDC	VBE	W
9~24V	9	≥4.5	26W 3W
-40°C~85°C)			

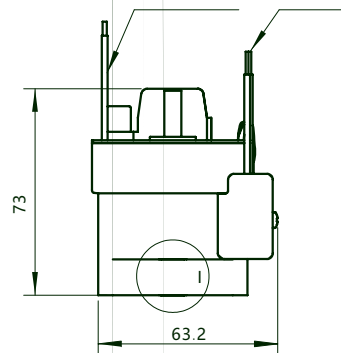
订货标记示例

HFEVC - H Y 250 / 750 - 12 - C N SM -

- | | | | | | | | | | | |
|----|---|---|---|----------------|-----------|-------------|---|----|----|--|
| 1 | 2 | 3 | 4 | 5 | 6 | 7 | 8 | 9 | 10 | |
| | | | | HFEVC: | | | | | | |
| 2 | | | | T: | | | | H: | | |
| 3 | | | | F: | | | | Y: | | |
| 4 | | | | 250: 250A | | | | | | |
| 5 | | | | DC Blank: 450V | 750: 750V | | | | | |
| 6 | | | | 12: DC12V | 24: DC24V | PWM: 9V~24V | | | | |
| 7 | | | | C: | | L: | | | | |
| 8 | | | | Blank: | N: | | | | | |
| 9 | | | | Blank: | SM: | | | | | |
| 10 | | | | | | | | | | |

1)

/Unit mm





1

[Redacted]					
[Redacted]					
M5螺钉 (内螺纹)	3N·m				

M8

2

100m

3

3mm